

## GL-CO GAS LEAK ALARM SYSTEM

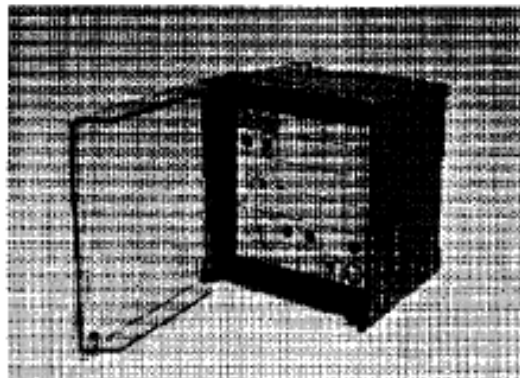


### Technical Overview

A range of stand-alone gas leak alarm systems for use in commercial / industrial gas installations to provide safety alarm and shutdown facilities on detection of gas leakage.

#### Features:

- \* 1, 2 & 3 channel options
- \* Audio & visual alarms
- \* Pre-alarm option (RFG782)
- \* Adjustable alarm sensitivity & retard time
- \* Relay output for gas shut-off valves
- \* Relay outputs for remote alarms
- \* Auto or manual reset selectable
- \* Self-diagnosis fault system



#### Specification:

Power supply:	220/240Vac or 12Vdc
Power consumption:	5VA
Relay outputs:	SPDT, 250V @ 10(2.5)A
Dimensions:	144H x 144W x 126D mm
Panel cut out:	138 x 138mm
Alarm threshold:	Natural Gas 0.25-0.8% Propane 0.06-0.35% CO 0.005-0.05%
Sensitivity adjust:	±5%
Pre alarm sensitivity:	50 to 100% (RFG782 only)
Retard adjustment:	5 to 30 seconds
Sensor cable:	up to 50 m 1 mm <sup>2</sup> min. up to 75 m 1.5 mm <sup>2</sup> min.
Sensor location:	Natural gas 200-600mm from ceiling LPG 200-600mm from floor CO 1.5 - 2 m from floor
Operating temperature:	0-45°C
Protection:	Detector IP40, Sensor IP44
Installation category:	IEC 664 Category II
Pollution degree:	IEC 664 Degree 1
Weight:	1.4kg
Country of origin:	EU

#### Product Codes:

GL-CO-RFG751	1 Channel
GL-CO-RFG752	2 Channel
GL-CO-RFG753	3 Channel
GL-CO-RFG782	2 Channel with pre-alarm
GL-CO-SGR300/M	Natural Gas Sensor
GL-CO-SGR300/P	Propane Sensor
GL-CO-SGR301	Carbon Monoxide Sensor

Data sheet: GL-CO3 Iss. 4.0 20/05/1998

Sontay Limited,  
Four Elms Road, Edenbridge  
Kent TN8 6AB England  
Tel: (01732) 865548 Fax: (01732) 867164  
E-Mail: [sontay@pavilion.co.uk](mailto:sontay@pavilion.co.uk)  
Internet: <http://www.sontay.com>

Whilst every effort has been made to ensure the accuracy of this specification, Sontay cannot accept responsibility for damage or injury, and any expense arising from errors or omissions, in the interest of technical improvement, this specification may be altered without notice.



**GL-CO****GAS LEAK ALARM SYSTEM****Alarm action and sensor selection settings - GL-CO-RGF762: Connections:****Alarm action and sensor selection settings - GL-CO-RGF75x:**

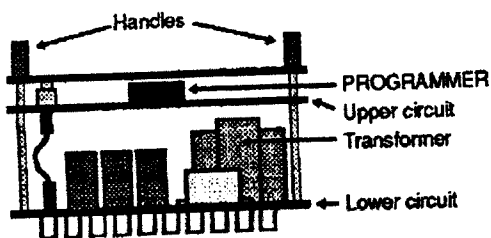
Connect either to terminals 2&3 or 19 & 20 to power unit. Do not power both simultaneously.

**GL-CO****GAS LEAK ALARM SYSTEM****Dimensions:****Panel cut-out dimensions:**

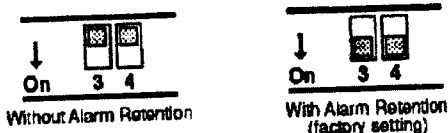
# GL-CO

# GAS LEAK ALARM SYSTEM

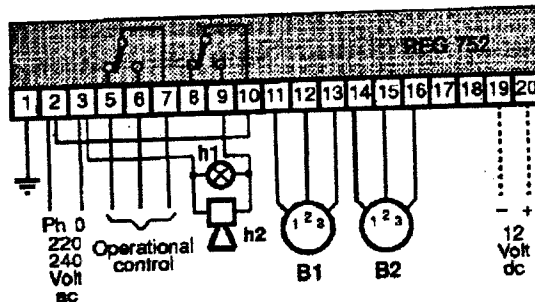
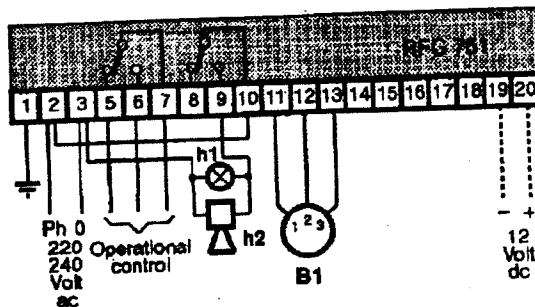
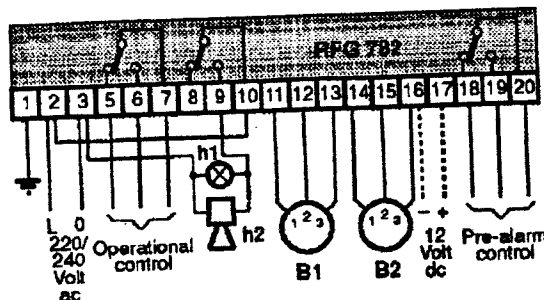
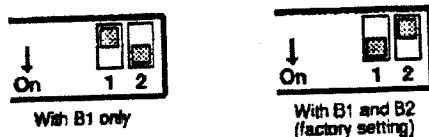
Alarm action and sensor selection settings - GL-CO-RGF782: Connections:



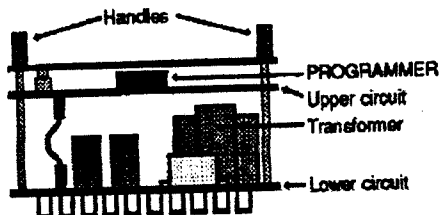
### Alarm retention



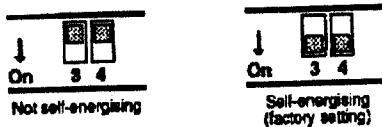
### Sensor connections



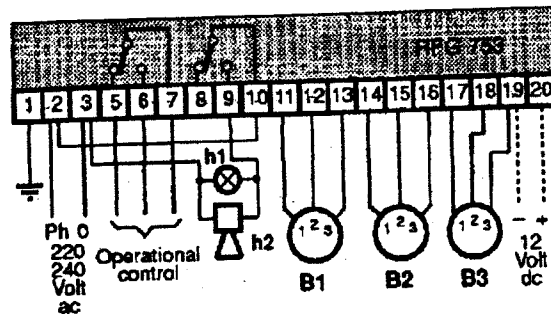
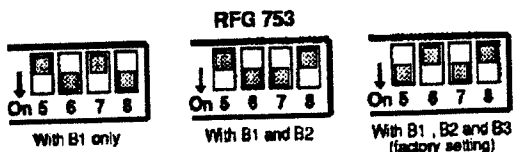
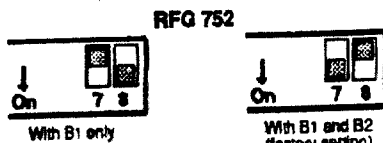
Alarm action and sensor selection settings - GL-CO-RGF75x:



### Self-energising alarm



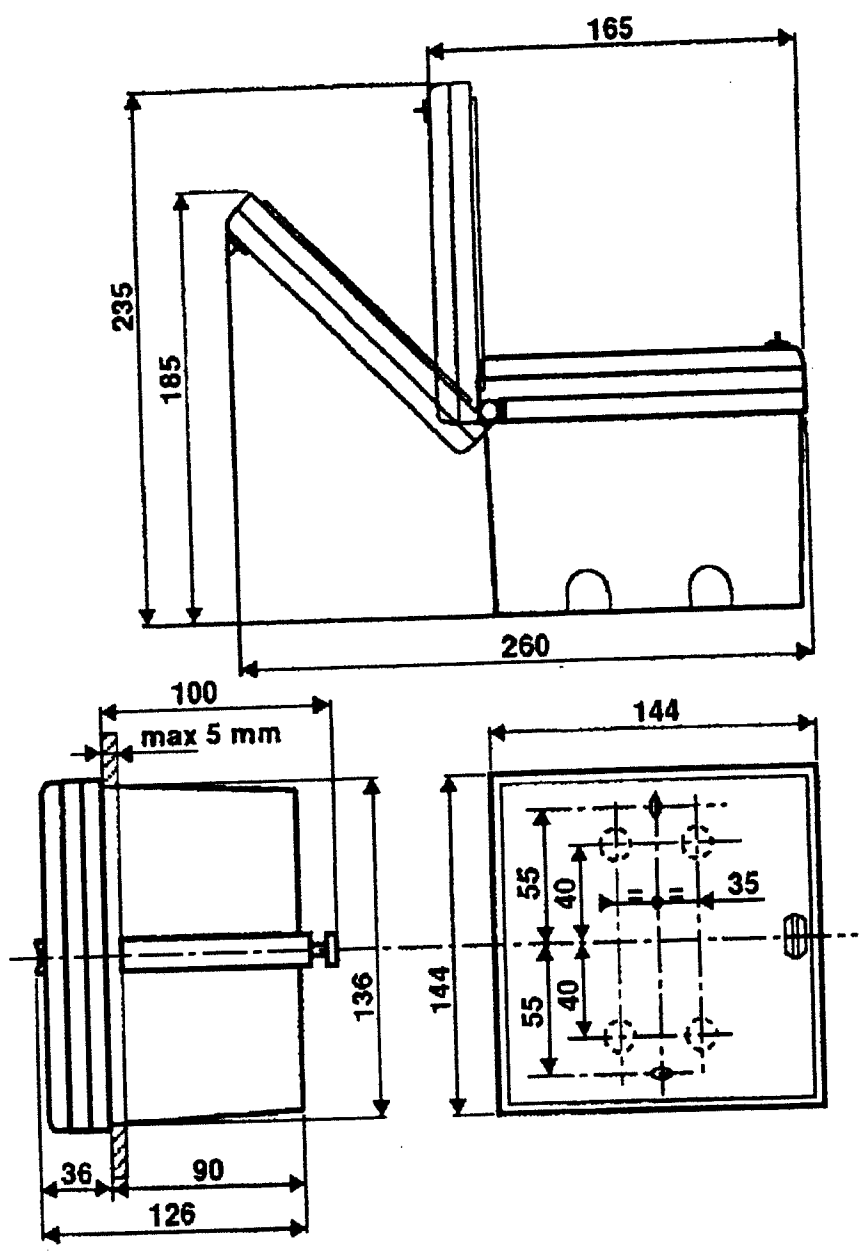
### Connections with sensors



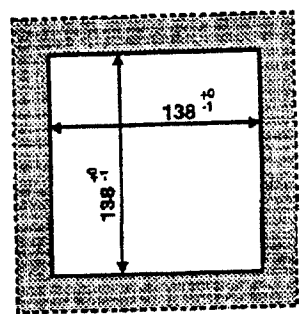
Connect either to terminals 2&3 or 19 & 20 to power unit. Do not power both simultaneously.

# GL-CO GAS LEAK ALARM SYSTEM

Dimensions:



Panel cut-out dimensions:



## GL-CO-RFG761 GAS LEAK ALARM SYSTEM

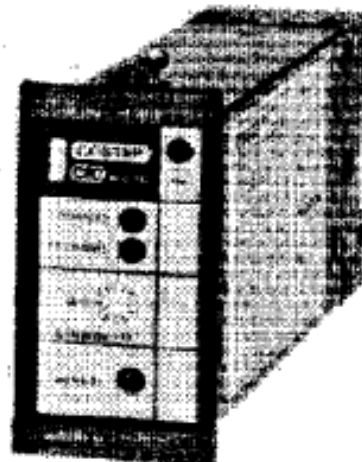


### Technical Overview

A panel mounting gas leak alarm system for use in commercial / industrial gas installations to provide safety alarm and shutdown facilities on detection of gas leakage.

#### Features:

- \* Single channel
- \* Panel mounting only
- \* Audio & visual alarms
- \* Adjustable alarm sensitivity
- \* Relay output for gas shut-off valves / remote alarms
- \* Auto or manual reset selectable
- \* Self-diagnosis fault system
- \* Explosion proof sensor available



#### Specification:

Power supply:	220/240Vac
Power consumption:	5VA
Relay output:	SPDT, 250V @ 5 (1) A
Dimensions:	Controller 96H x 48W x 138D mm Sensor 80H x 80W x 43D mm
Panel cut out:	92 x 45mm
Alarm threshold:	Natural Gas 0.25-0.6% Propane 0.06-0.35% CO 0.005-0.05%
Sensitivity adjust:	±5%
Sensor cable:	up to 50 m 1 mm <sup>2</sup> min. up to 75 m 1.5 mm <sup>2</sup> min.
Sensor location:	Natural gas 200-800mm from ceiling LPG 200-800mm from floor CO 1.5 - 2 m from floor (in upper part of room)
Operating temp:	0-45°C
Protection:	
Detector:	IP20
Sensor:	IP44
Installation category:	IEC 664 Category II
Pollution degree:	IEC 664 Degree 1
Weight:	0.4kg
Country of origin:	EU

#### Product Codes:

Gas Leak Monitor:	GL-CO-RFG761
Natural Gas Sensor:	GL-CO-SGR300/M
Propane Sensor:	GL-CO-SGR300/P
Monoxide Sensor:	GL-CO-SGR301

Data sheet: GL-CO Iss. 4.0 20/05/1998

Sontay Limited,  
Four Elms Road, Edenbridge  
Kent TN8 6AP England  
Tel: (01732) 865548 Fax: (01732) 867161  
E-Mail: [sontay@pavilion.co.uk](mailto:sontay@pavilion.co.uk)  
Internet: <http://www.sontay.com>

Whilst every effort has been made to ensure the accuracy of this specification, Sontay cannot accept responsibility for damage, injury, loss or explosion resulting from errors or omissions. In the interest of technical advancement, this specification may be altered without notice.



**GL-CO-RFG761**

**GAS LEAK ALARM SYSTEM**

**Dimensions:**

**Panel cut-out dimensions:**

**Connections:**

TM-9100

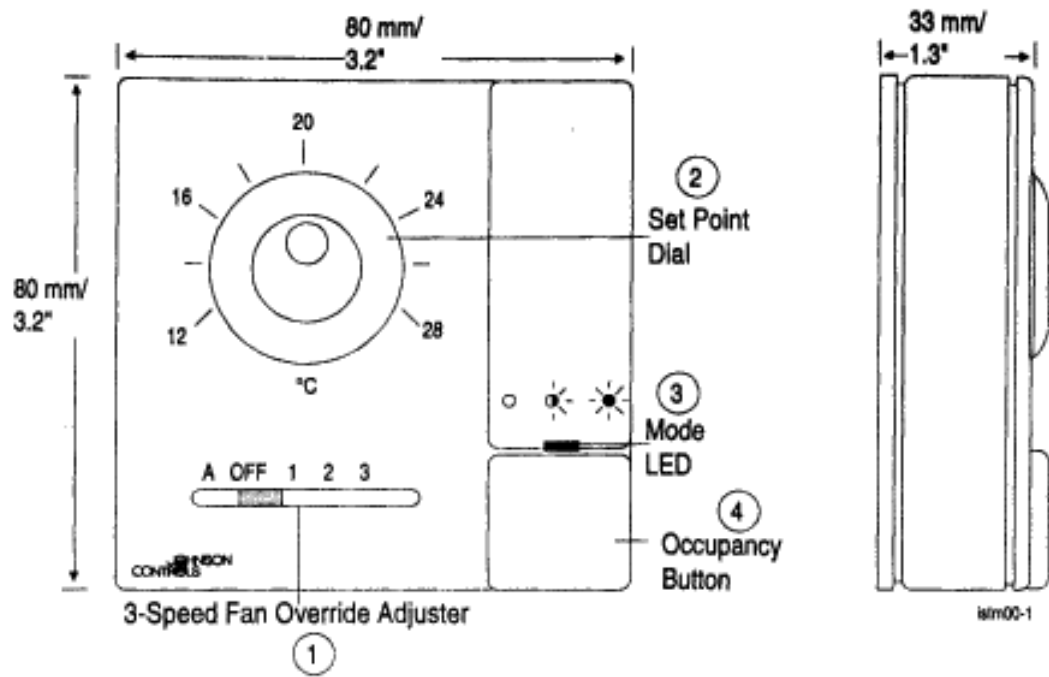


Figure 1: Room Command Module

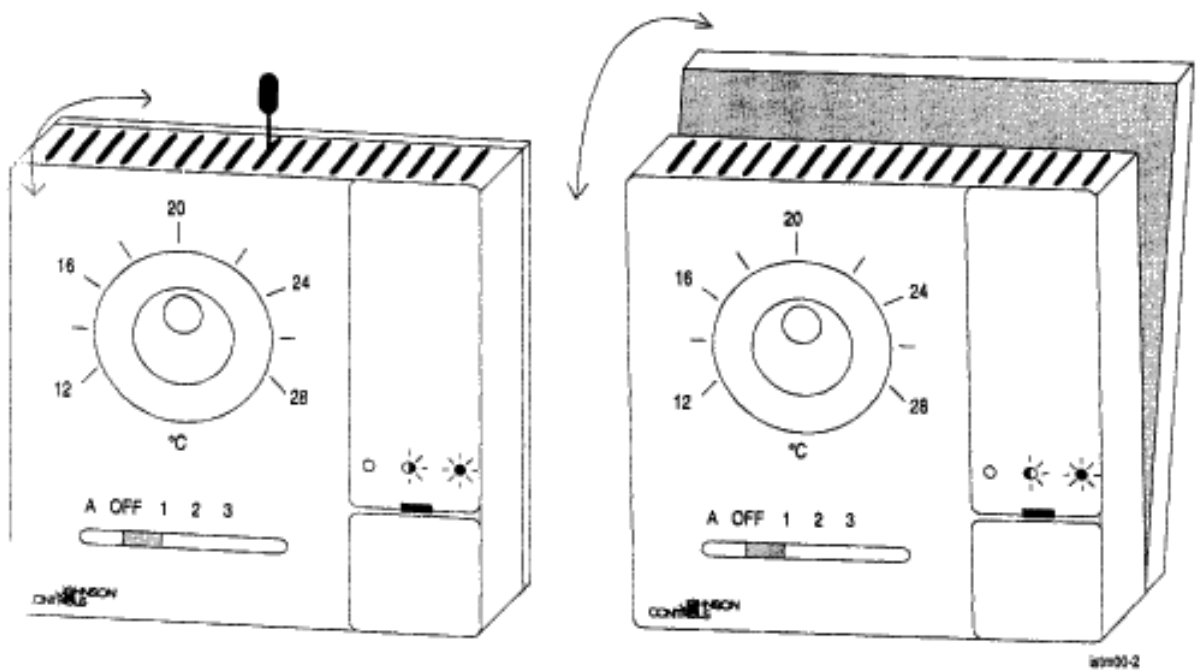


Figure 2: Removing Cover from Base



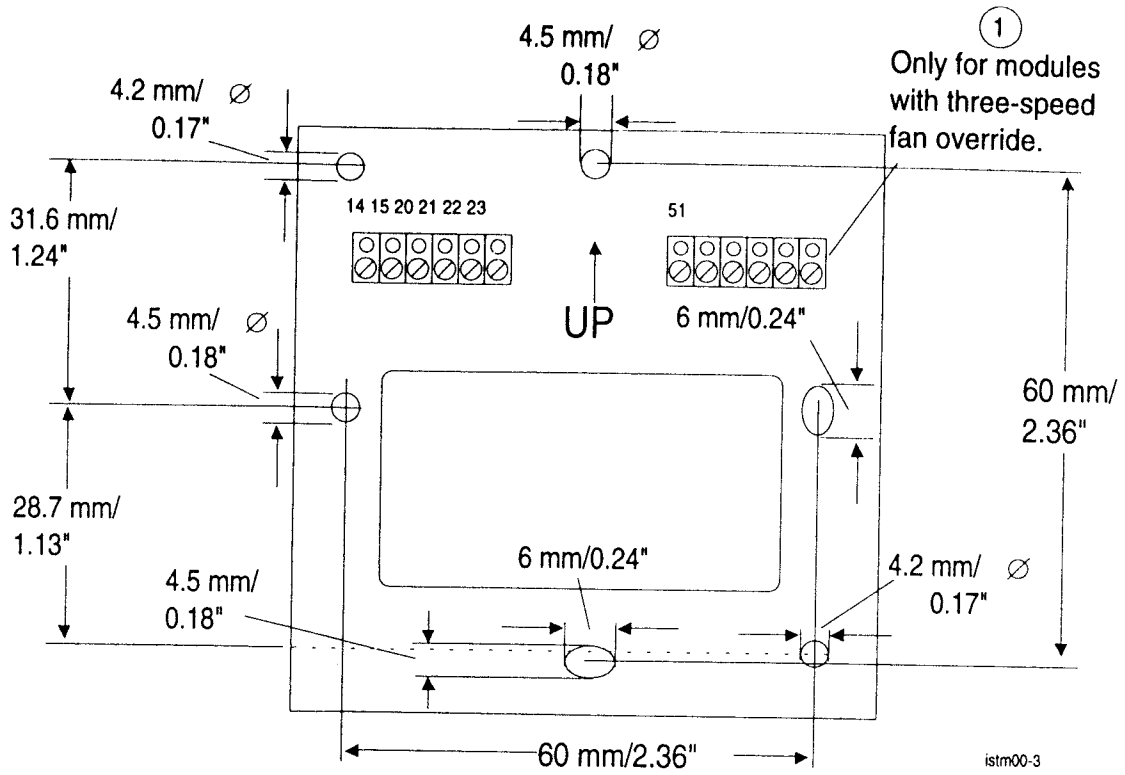
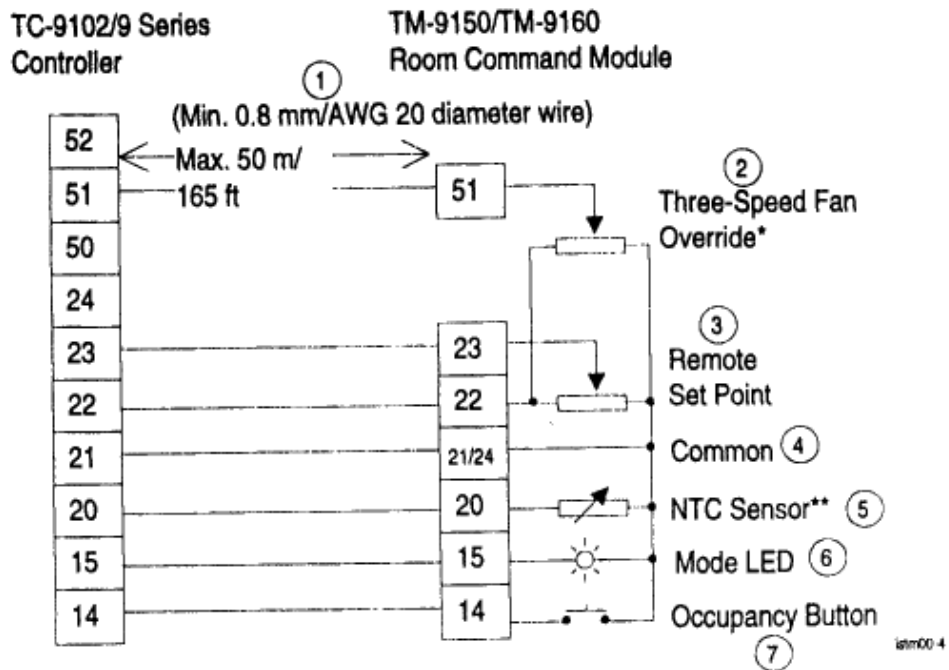


Figure 3: Module Base

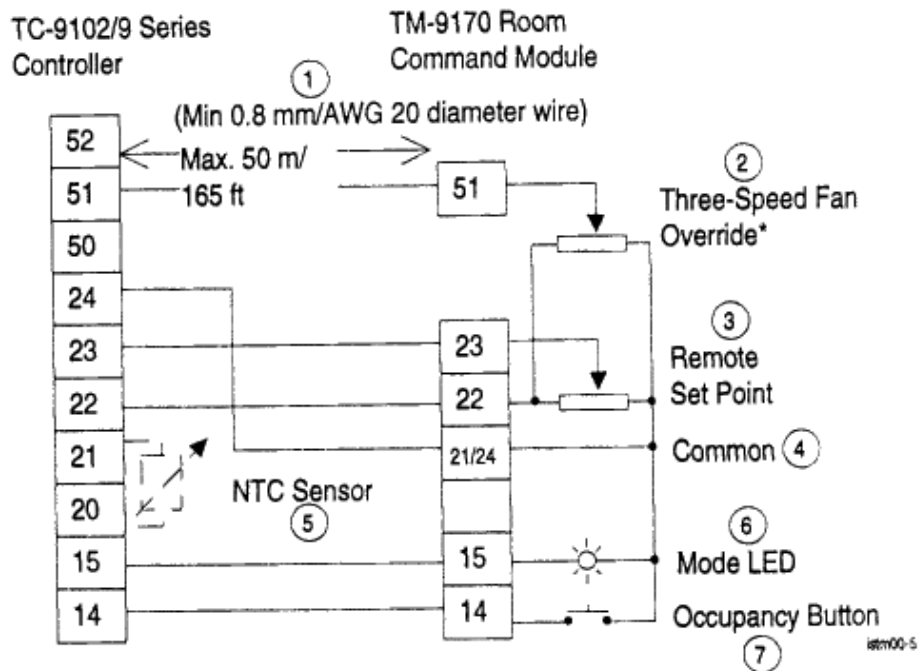
# TM-9100



(8) \*Only for modules with three-speed fan override.

(9) \*\*Model TM-9160 only.

**Figure 4: Wiring to Room Command Module with NTC Sensor**



(8) \*Only for modules with three-speed fan override.

**Figure 5: Wiring to Room Command Sensor without NTC Sensor**