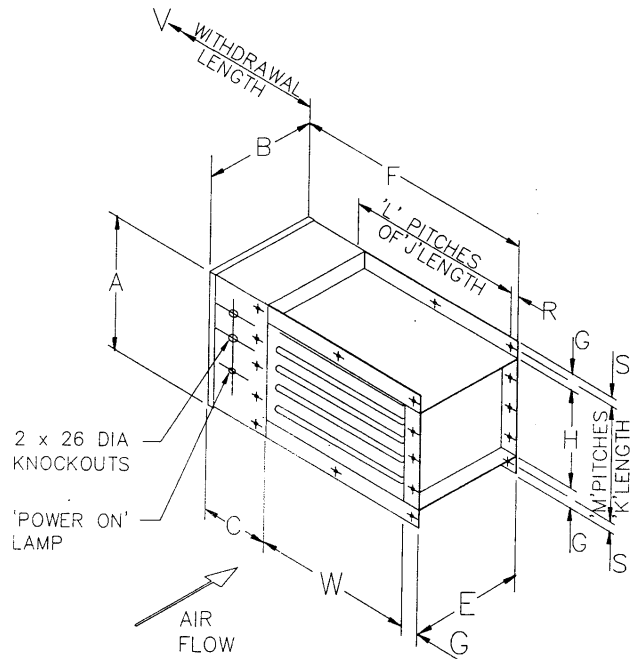


THIRD ANGLE PROJECTION

JOB No.	QUANTITY REQUIRED	ELEMENT DATA						ENCLOSURE			CASE SIZE DATA												
		No. OFF	PART No.	WATTS ELE.	SHAPE	No. OF ROWS	MATERIAL	FIXING	DIM A	DIM B	DIM C	DIM W	DIM H	DIM E	DIM F	DIM G	DIM J	DIM K	DIM L	DIM M	DIM R	DIM S	DIM V
K28317/2	1	12	300091	2500	21A	3	ST.STL.304	M.STL.CRIMP GLAND Pt.No. 108280	330	920	150	800	250	920	990	40	141.7	75	6	4	15	15	950

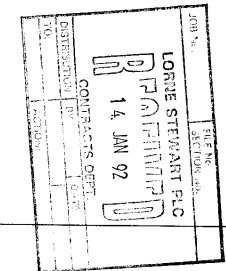
JOB No.	ELECTRICAL DATA					INSPECTION DATA			
	SUPPLY SYSTEM			KW	STAGES	AMPS/Ph/ST	COLD STATE OHMIC VALUE	MIN. ELECTRICAL INSULATION	FLASH TEST OF ELEMENT
K28317/2	415V-3PH-50Hz, 4W, STAR			30	4	10.4	22.12	5 Meg.Ohms/ELE.	2000 VOLTS

JOB No.	CONTROLS DATA						DETAIL DRAWING			
	AIRFLOW TYPE	AIRFLOW RANGE	QTY	CUTOUT TYPE	CUTOUT SET POINT	QTY	AIR FLOW	WIRING DIAGRAM	TERMINAL BOX ASSY	CONTROL CIRCUIT
K28317/2	DUNGS	0.4-3Mbar	1	LINEAR	93 °C	1	L-R	C12516 Sht..8	A12516 Sht.6	C12516 Sht.5,7



MATERIAL: -
 ENCLOSURE: -2.0mm THICK GALVATITE
 CASE: -2.0mm THICK GALVATITE
 TERMINAL BOX TO BE WEATHERPROOF TO IP42

NOTE
 CONTROLS CONSISTS OF (TYPICAL ALL JOB NoS):
 MAIN CONTACTORS, STAGE CONTACTORS & FUSING, STEP CONTROLLER,
 CONTROL FUSE & 'POWER ON' LAMP, DOOR INTERLOCKED ISOLATOR,
 HAND RESET CUTOUT, AUTO RESET DISC THERM CUTOUT, AIRFLOW
 SWITCH (Pt. No.115980), LINEAR CUTOUT (Pt. No.118659), TERMINALS
 & LABELS ETC.



ELTRON Chromalox [®] CROYDON ENGLAND			
DRAWN G.H.	TITLE AIR HEATER BATTERY		
CHECKED F.J.H.			
APPROVED A.J.D.	CUSTOMER LORNE STEWART	GENERAL TOLERANCES	
DATE 25.9.90	ORDER No. H/90278/1331/1000		
SCALE N.T.S.	SERIAL No. K28317	DRAWING No. BDS9-731-12516	Sheet 1 of 8
APP'D.			REV. B



ELTRON

REV.	DATE	BY	REVISION	APP'D.
B	4.03.91	G.B.	AUTO CUT-OUT COVER DELETED.	D.K.
A	4.12.90	M.S.F.	ITEM K28317/1 DELETED	D.K.